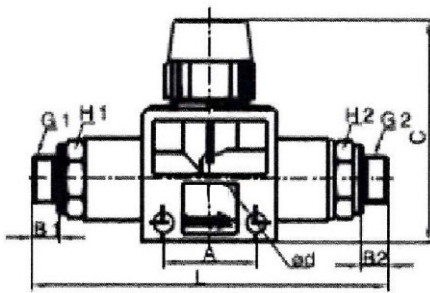
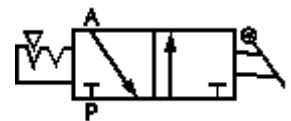


Push-in fittings series manufactured in plastic and nickel-plated brass.  
All parts are suitable for use with hoses, tubes or pipes made of plastic and copper.

Working pressure:	1.5 - 10 bar
Max. working pressure short term:	15 bar*
Temperature range:	-20 °C to 80 °C
Material:	Plastic and nickel-plated brass
Sleeve:	Plastic
Sealing surface:	Parallel version: O-ring in housing Conical version: PTFE thread coating
Medium:	Compressed air, neutral and safe gases and liquids*
Recommended hose:	PU or PA (nylon)

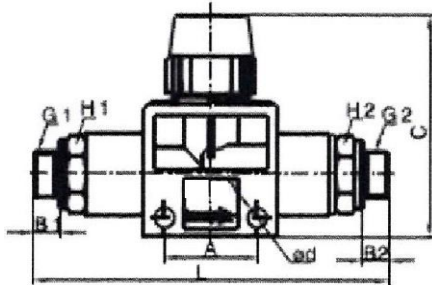


275.014

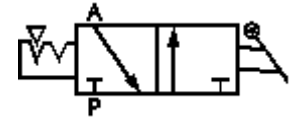


### 3/2-way pilot valve with parallel male thread with O-ring (NBR)

Art. No.	Type No.	L mm	A mm	B1 mm	B2 mm	C mm	Ød mm	Thread 1	Thread 2	H1 mm	H2 mm
110101	275.018	65.0	16.5	5.5	5.5	42.6	4.2	G 1/8	G 1/8	14	14
135946	275.1418	66.5	16.5	6.5	5.5	42.6	4.2	G 1/4	G 1/8	17	14
110102	275.014	68.0	16.5	6.5	6.5	42.6	4.2	G 1/4	G 1/4	17	17
135947	275.3814	80.0	21.5	7.5	6.5	47.0	4.2	G 3/8	G 1/4	20	17
110103	275.038	81.5	21.5	7.5	7.5	47.0	4.2	G 3/8	G 3/8	17	20
135948	275.1238	83.2	21.5	9.5	7.5	47.0	4.2	G 1/2	G 3/8	24	21
135949	275.012	86.7	21.5	9.5	9.5	47.0	4.2	G 1/2	G 1/2	24	24

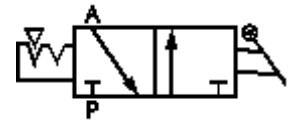
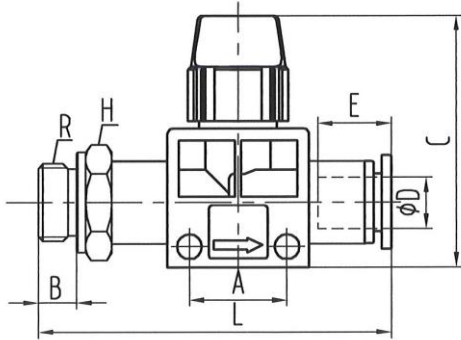


276.014



3/2-way pilot valve with conical male thread, coated

Art. No.	Type No.	L mm	A mm	B1 mm	B2 mm	C mm	Ød mm	Thread 1	Thread 2	H1 mm	H2 mm
110104	276.018	65.0	16.5	7.5	7.5	41.5	4.2	R 1/8	R 1/8	12	12
135953	276.1418	66.5	16.5	9.5	7.5	42.6	4.2	R 1/4	R 1/8	14	14
110105	276.014	70.0	16.5	9.5	9.5	41.5	4.2	R 1/4	R 1/4	14	14
135954	276.3814	82.5	21.5	10.5	9.5	47.0	4.2	R 3/8	R 1/4	17	17
110106	276.038	83.5	21.5	10.5	10.5	46.0	4.2	R 3/8	R 3/8	17	17
135955	276.1238	87.5	21.5	13.5	9.5	47.0	4.2	R 1/2	R 3/8	21	21

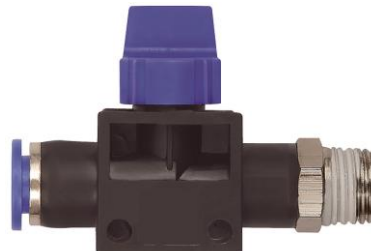
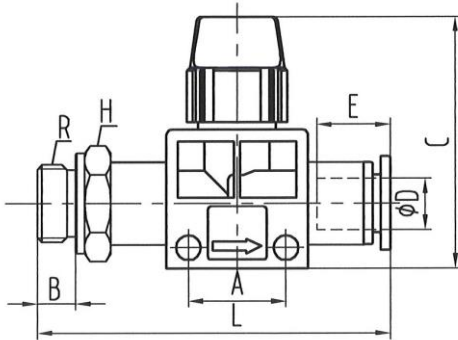


231.014-8

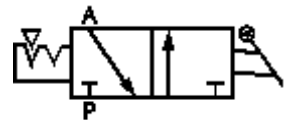
**3/2-way pilot valve** with male thread and plug connection, flow direction from port to tube, parallel male and female threads with O-ring (NBR)

Art. No.	Type No.	L mm	A mm	B mm	C mm	ØD mm	Ød mm	Thread	H mm
110108	231.018-6	58.1	16.5	5.5	41.5	6	4.2	G 1/8	14
110109	231.018-8	58.5	16.5	5.5	41.5	8	4.2	G 1/8	14
110110	231.014-6	59.6	16.5	6.5	41.5	6	4.2	G 1/4	14
110111	231.014-8	60.0	16.5	6.5	41.5	8	4.2	G 1/4	17
110112	231.014-10	70.9	21.5	6.5	46.0	10	4.2	G 1/4	17
110113	231.014-12	70.9	21.5	6.5	46.0	12	4.2	G 1/4	21
110114	231.038-6	61.1	16.5	7.5	41.5	6	4.2	G 3/8	14
110115	231.038-8	61.5	16.5	7.5	41.5	8	4.2	G 3/8	17
110116	231.038-10	72.4	21.5	7.5	46.0	10	4.2	G 3/8	20
110117	231.038-12	71.9	21.5	7.5	46.0	12	4.2	G 3/8	21
110118	231.012-10	74.9	21.5	9.5	46.0	10	4.2	G 1/2	24
110119	231.012-12	75.4	21.5	9.5	46.0	12	4.2	G 1/2	24

Art. No.	Type No.	E mm	X mm	Y mm	X1 mm
110108	231.018-6	18.2	13.9	12.5	12
110109	231.018-8	18.7	15.9	13.9	14
110110	231.014-6	18.2	13.9	12.5	12
110111	231.014-8	18.7	15.9	13.9	14
110112	231.014-10	21.2	19.5	17.0	17
110113	231.014-12	22.6	23.0	20.5	20
110114	231.038-6	18.2	13.9	12.5	12
110115	231.038-8	18.7	15.9	13.9	14
110116	231.038-10	21.2	19.5	17.0	17
110117	231.038-12	22.6	23.0	20.5	20
110118	231.012-10	21.2	19.5	17.0	17
110119	231.012-12	22.6	23.0	20.5	20



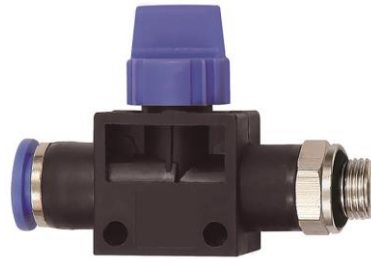
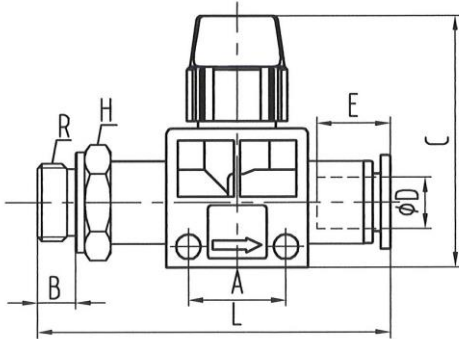
232.014-8



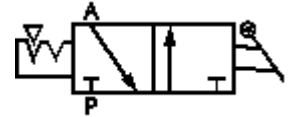
**3/2-way pilot valve** with male thread and plug connection, flow direction from port to tube, conical male thread, coated

Art. No.	Type No.	L mm	A mm	B mm	C mm	ØD mm	Ød mm	Thread	H mm
110120	232.018-6	58.3	16.5	7.5	41.5	6	4.2	R 1/8	12
110121	232.018-8	58.9	16.5	7.5	41.5	8	4.2	R 1/8	14
110122	232.014-6	60.8	16.5	9.5	41.5	6	4.2	R 1/4	14
110123	232.014-8	60.9	16.5	9.5	41.5	8	4.2	R 1/4	14
110124	232.014-10	72.6	21.5	9.5	46.0	10	4.2	R 1/4	17
110125	232.014-12	73.3	21.5	9.5	46.0	12	4.2	R 1/4	21
110126	232.038-6	62.3	16.5	10.5	41.5	6	4.2	R 3/8	17
110127	232.038-8	62.4	16.5	10.5	41.5	8	4.2	R 3/8	17
110128	232.038-10	73.6	21.5	10.5	46.0	10	4.2	R 3/8	17
110129	232.038-12	74.1	21.5	10.5	46.0	12	4.2	R 3/8	21
110130	232.012-10	77.1	21.5	13.5	46.0	10	4.2	R 1/2	21
110131	232.012-12	77.3	21.5	13.5	46.0	12	4.2	R 1/2	21

Art. No.	Type No.	X mm	Y mm	X1 mm	E mm
110120	232.018-6	13.9	12.5	12	18.2
110121	232.018-8	15.9	13.9	14	18.7
110122	232.014-6	13.9	12.5	12	18.2
110123	232.014-8	15.9	13.9	14	18.7
110124	232.014-10	19.5	17.0	17	21.2
110125	232.014-12	23.0	20.5	20	22.6
110126	232.038-6	13.9	12.5	12	18.2
110127	232.038-8	15.9	13.9	14	18.7
110128	232.038-10	19.5	17.0	17	21.2
110129	232.038-12	23.0	20.5	20	22.6
110130	232.012-10	19.5	17.0	17	21.2
110131	232.012-12	23.0	20.5	20	22.6



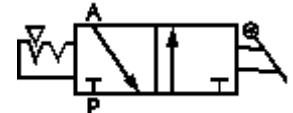
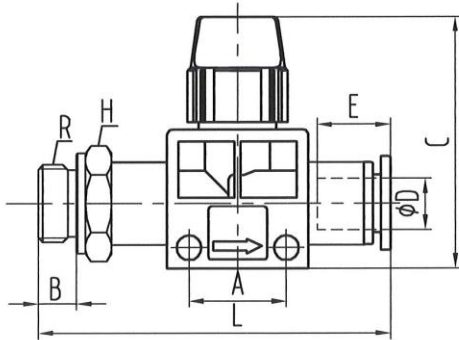
273.014-8



**3/2-way pilot valve** with male thread and plug connection, flow direction from tube to port, parallel male and female threads with O-ring (NBR)

Art. No.	Type No.	L mm	A mm	B mm	C mm	ØD mm	Ød mm	Thread	H mm
110132	273.018-6	58.1	16.5	5.5	41.5	6	4.2	G 1/8	14
110133	273.018-8	58.8	16.5	5.5	41.5	8	4.2	G 1/8	14
110134	273.014-6	59.6	16.5	6.5	41.5	6	4.2	G 1/4	14
110135	273.014-8	60.0	16.5	6.5	41.5	8	4.2	G 1/4	17
110136	273.014-10	70.9	21.5	6.5	46.0	10	4.2	G 1/4	17
110137	273.014-12	70.9	21.5	6.5	46.0	12	4.2	G 1/4	21
110138	273.038-6	61.1	16.5	7.5	41.5	6	4.2	G 3/8	14
110139	273.038-8	61.5	16.5	7.5	41.5	8	4.2	G 3/8	17
110140	273.038-10	72.4	21.5	7.5	46.0	10	4.2	G 3/8	20
110141	273.038-12	71.9	21.5	7.5	46.0	12	4.2	G 3/8	21
110142	273.012-10	74.9	21.5	9.5	46.0	10	4.2	G 1/2	24
110143	273.012-12	75.4	21.5	9.5	46.0	12	4.2	G 1/2	24

Art. No.	Type No.	E mm	X mm	Y mm	X1 mm
110132	273.018-6	18.2	13.9	12.5	12
110133	273.018-8	18.7	15.9	13.9	14
110134	273.014-6	18.2	13.9	12.5	12
110135	273.014-8	18.7	15.9	13.9	14
110136	273.014-10	21.2	19.5	17.0	17
110137	273.014-12	22.6	23.0	20.5	20
110138	273.038-6	18.2	13.9	12.5	12
110139	273.038-8	18.7	15.9	13.9	14
110140	273.038-10	21.2	19.5	17.0	17
110141	273.038-12	22.6	23.0	20.5	20
110142	273.012-10	21.2	19.5	17.0	17
110143	273.012-12	22.6	23.0	20.5	20

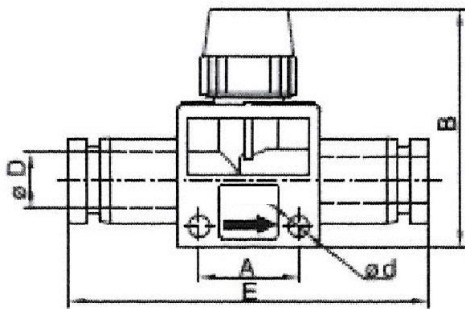


274.014-8

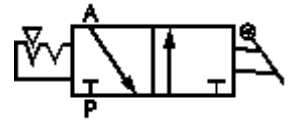
**3/2-way pilot valve** with male thread and plug connection, flow direction from tube to port, conical male thread, coated

Art. No.	Type No.	L mm	A mm	B mm	C mm	ØD mm	Ød mm	Thread	H mm
110144	274.018-6	58.3	16.5	7.5	41.5	6	4.2	R 1/8	12
110145	274.018-8	58.9	16.5	7.5	41.5	8	4.2	R 1/8	14
110146	274.014-6	60.8	16.5	9.5	41.5	6	4.2	R 1/4	14
110147	274.014-8	60.9	16.5	9.5	41.5	8	4.2	R 1/4	14
110148	274.014-10	72.6	21.5	9.5	46.0	10	4.2	R 1/4	17
110149	274.014-12	73.3	21.5	9.5	46.0	12	4.2	R 1/4	21
110150	274.038-6	62.3	16.5	10.5	41.5	6	4.2	R 3/8	17
110151	274.038-8	62.4	16.5	10.5	41.5	8	4.2	R 3/8	17
110152	274.038-10	73.6	21.5	10.5	46.0	10	4.2	R 3/8	17
110153	274.038-12	74.1	21.5	10.5	46.0	12	4.2	R 3/8	21
110154	274.012-10	77.1	21.5	13.5	46.0	10	4.2	R 1/2	21
110155	274.012-12	77.3	21.5	13.5	46.0	12	4.2	R 1/2	21

Art. No.	Type No.	X mm	Y mm	X1 mm	E mm
110144	274.018-6	13.9	12.5	12	18.2
110145	274.018-8	15.9	13.9	14	18.7
110146	274.014-6	13.9	12.5	12	18.2
110147	274.014-8	15.9	13.9	14	18.7
110148	274.014-10	19.5	17.0	17	21.2
110149	274.014-12	23.0	20.5	20	22.6
110150	274.038-6	13.9	12.5	12	18.2
110151	274.038-8	15.9	13.9	14	18.7
110152	274.038-10	19.5	17.0	17	21.2
110153	274.038-12	23.0	20.5	20	22.6
110154	274.012-10	19.5	17.0	17	21.2
110155	274.012-12	23.0	20.5	20	22.6



233.008



### 3/2-way pilot valve with plug connection

Art. No.	Type No.	ØD mm	Ød mm	A mm	B mm	E mm	X mm	Y mm	X1 mm	C1 mm
110156	233.006	6	4.2	16.5	41.5	51.6	13.9	12.5	12	18.2
110157	233.008	8	4.2	16.5	41.5	52.6	15.9	17.0	14	18.7
110158	233.010	10	4.2	21.5	46.0	63.7	19.5	17.0	17	18.7
110159	233.012	12	4.2	21.5	46.0	64.1	23.0	20.5	20	21.2

\*The suitability test for the individual application is the user's responsibility.